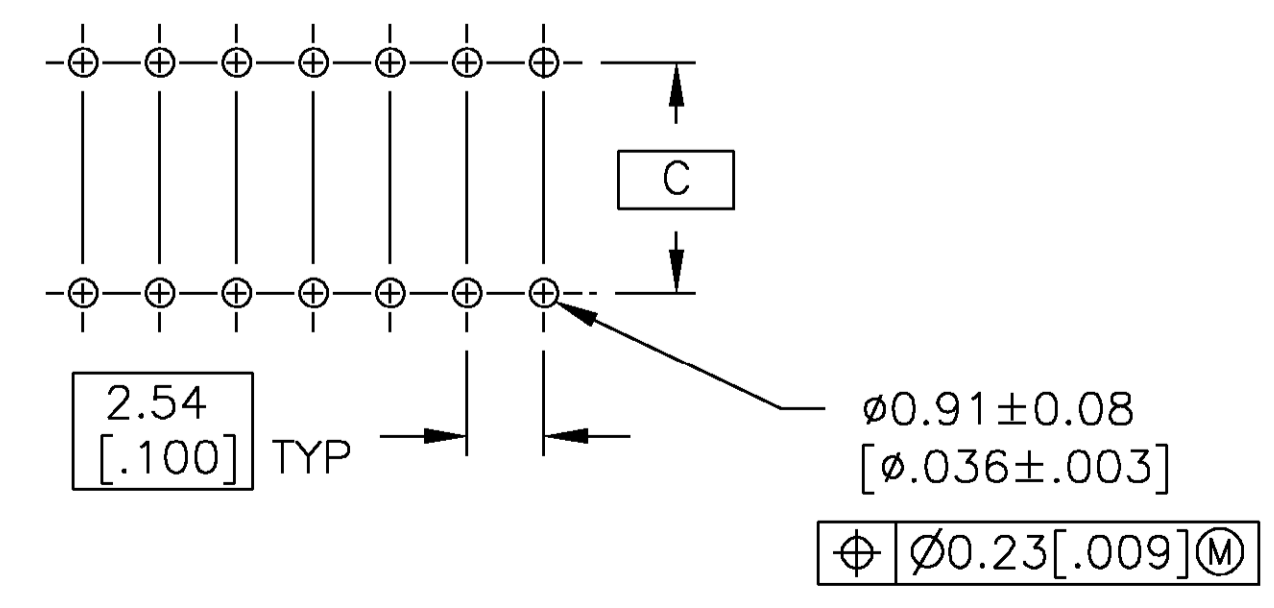
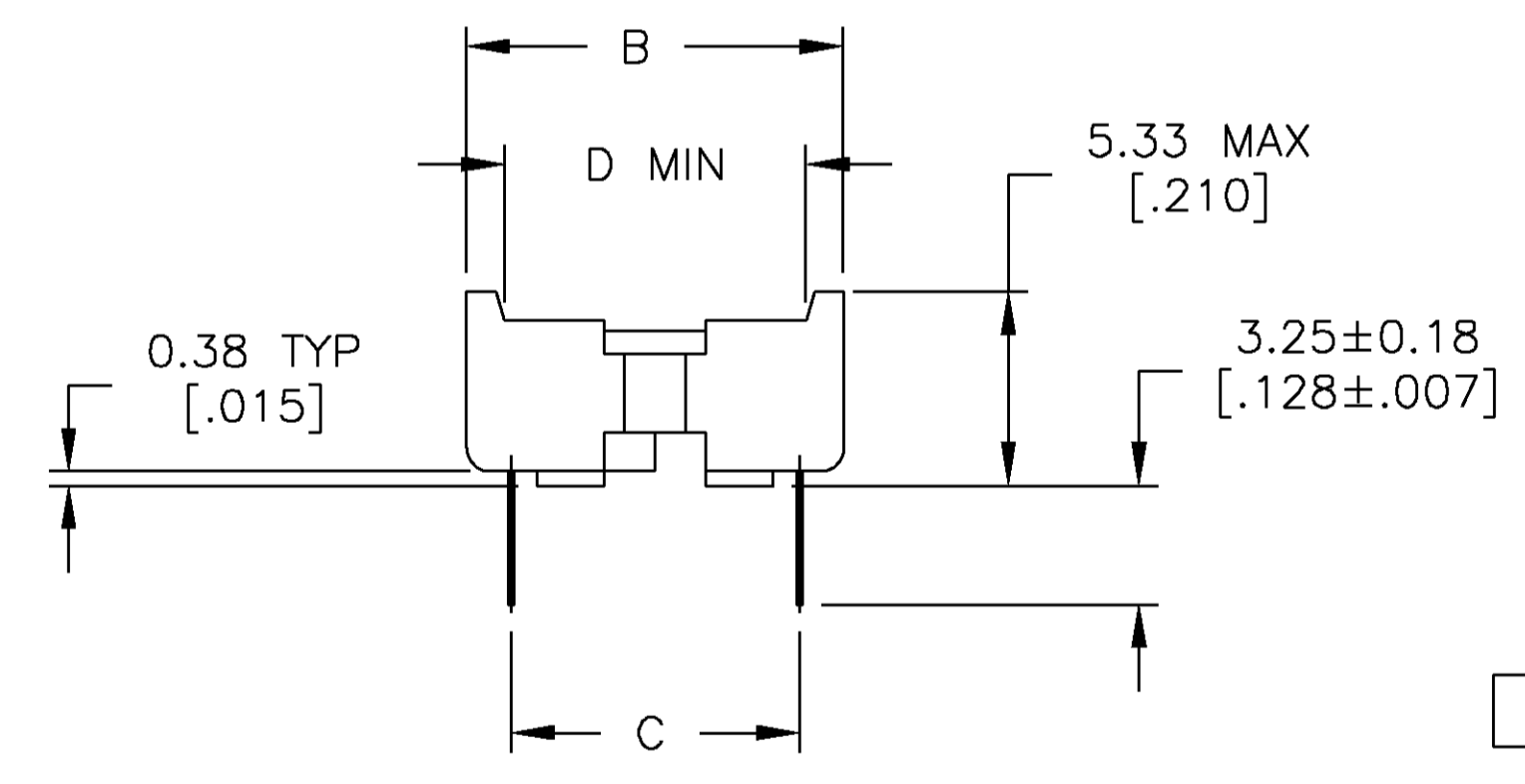
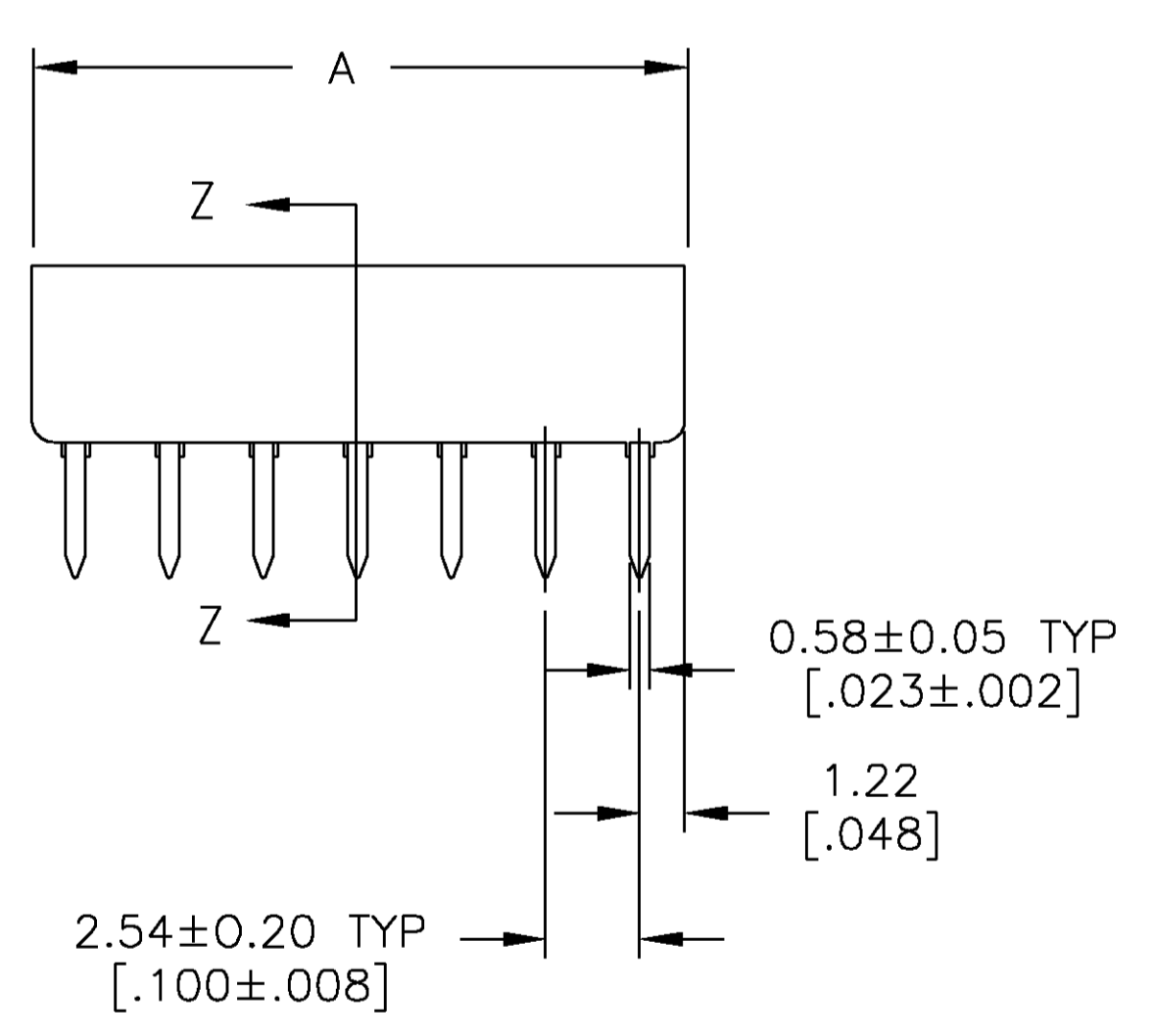
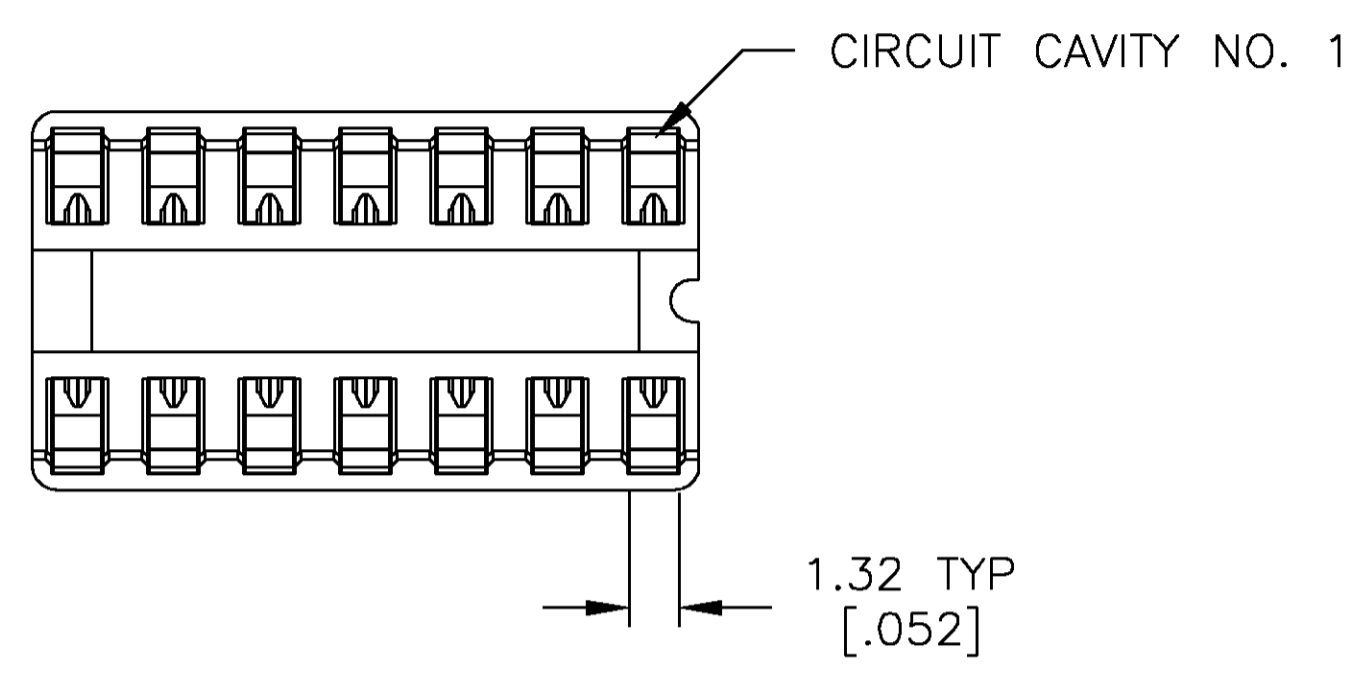
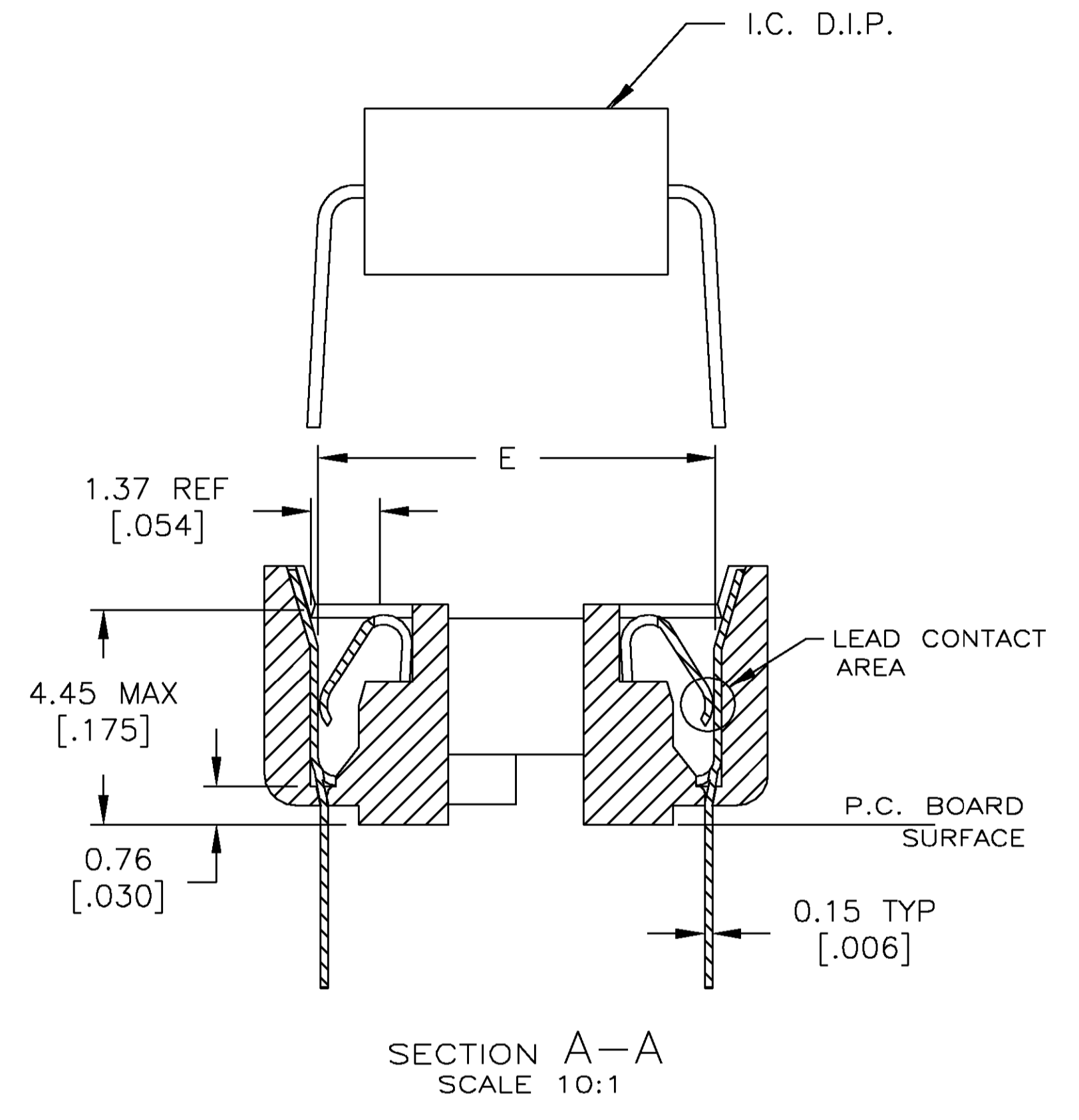


- RECEPTACLE ACCEPTS A 0.20-0.36 [.008-.014] THICK I.C. LEAD.
- TUBE LOADED FOR AUTOMATIC INSERTION.
- LUBRICANT: MONSANTO OS-138.
- HOUSING: GLASS-FILLED, THERMOPLASTIC, 94V-0, BLACK.
CONTACT: PH BRONZE.
- CONTACT: TINNED.



RECOMMENDED MOUNTING HOLE PATTERN
SCALE 4:1



SECTION A-A
SCALE 10:1

OBSOLETE	23.11 [.910]	23.39 [.921]	22.86 [.900]	26.01 [1.024]	81.66 [3.215]	64	6-382568-4
	15.49 [.610]	15.77 [.621]	15.24 [.600]	17.63 [.694]	60.83 [2.395]	48	4-382568-8
	15.49 [.610]	15.77 [.621]	15.24 [.600]	17.63 [.694]	50.67 [1.995]	40	4-382568-0
	15.49 [.610]	15.77 [.621]	15.24 [.600]	17.63 [.694]	40.51 [1.595]	32	3-382568-2
	15.49 [.610]	15.77 [.621]	15.24 [.600]	17.63 [.694]	35.43 [1.395]	28	2-382568-8
	15.49 [.610]	15.77 [.621]	15.24 [.600]	17.63 [.694]	30.35 [1.195]	24	2-382568-5
	7.87 [.310]	8.15 [.321]	7.62 [.300]	10.01 [.394]	30.35 [1.195]	24	2-382568-4
OBSOLETE	10.41 [.410]	10.69 [.421]	10.16 [.400]	12.55 [.494]	27.81 [1.095]	22	2-382568-2
	7.87 [.310]	8.15 [.321]	7.62 [.300]	10.01 [.394]	25.27 [.995]	20	2-382568-0
OBSOLETE	7.87 [.310]	8.15 [.321]	7.62 [.300]	10.01 [.394]	22.73 [.895]	18	1-382568-8
	7.87 [.310]	8.15 [.321]	7.62 [.300]	10.01 [.394]	20.19 [.795]	16	1-382568-6
OBSOLETE	7.87 [.310]	8.15 [.321]	7.62 [.300]	10.01 [.394]	17.65 [.695]	14	1-382568-4
OBSOLETE	7.87 [.310]	8.15 [.321]	7.62 [.300]	10.01 [.394]	10.03 [.395]	8	382568-8
OBSOLETE	7.87 [.310]	8.15 [.321]	7.62 [.300]	10.01 [.394]	7.49 [.295]	6	382568-6
	E	D	C ±0.20 [±.008]	B	A	POSN	PART NUMBER

THIS DRAWING IS A CONTROLLED DOCUMENT.

DIMENSIONS: INCHES	TOLERANCES UNLESS OTHERWISE SPECIFIED:	DWG: R BROWN	17NOV00	AMP Tyco Electronics Corporation Harrisburg, PA 17105
0 PLC ± -	1 PLC ± -	OK: H WYNKOOP	17NOV00	
	2 PLC ± 0.13 [005]	APVD: H WYNKOOP	NAME: SOCKET ASSY, DIP, SPCL	RESTRICTED TO
	3 PLC ± -	PRODUCT SPEC: 108-1066	APPLICATION SPEC: 114-1049	
MATERIAL: SEE NOTE 4	FINISH: SEE NOTE 5	WEIGHT: -	SIZE: A1	CAGE CODE: 00779
			SCALE: 5:1	SHEET: 1 OF 1